



## ANKERSMID Sample probe ASP 1xx Series

### Application

The ASP stationary gas sample probe is especially designed for standard process and ambient conditions, safe and reliable operation as well as easy maintenance at a wide range of applications is required. The innovative construction and design guarantees a perfect operation for gas measurements.

### Description

Due to various acid dew points at various applications the probe is heated up to 180°C.

A filter element of 150mm is integrated, suitable for most applications up to 1g dust/m<sup>3</sup>. A significant advantage is that this filter is replaceable without dismounting the probe and without using any tools.

Due to its modular design and various options, the heated sample probe covers the widest range of applications.

With the filter element of 150mm length this probe is suitable for most applications up to 1g dust/m<sup>3</sup>; with the blow-back function dust loads of up to 10g/m<sup>3</sup> can be handled.

Test gas can be injected directly into the probe through the calibration gas connection according to EN14181 (regulation for calibration of emission monitoring systems) that enables calibration gas feeding via the filter element of the gas sample probe. The use of the optional high-flow check valve type APP 200 is recommended.

The stationary gas sample probe series ASP is a perfect completion to the Ankersmid gas conditioning system series ASS 301/311. Both devices can easily be connected together by the Ankersmid heated sample line series AHL which guarantees a safe and reliable connection.

Using this heated line the probe's electrical power is then fed to the probe via the feed line integrated within the sample line.

To avoid cooling-down and condensation of sample gas in the extraction area, a heated sample probe tube series AST 0xx/1xx/2xx is available.



\* Picture may vary

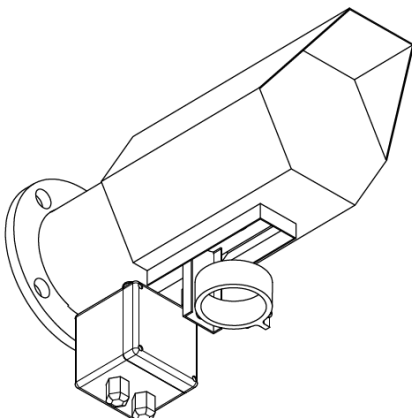
- **180°C operating temperature**
- **Integrated over-temperature safety switch-off**
- **Low-temperature alarm**
- **Back-flush/calibration possibility as standard**
- **Test gas connection according to EN14181 for calibration/test gas feeding via filter element available as standard**
- **Universal mounting clamp for easy installation of heated lines**
- **Optional with portable carrying protection case with spare filter**
- **Very universal applicability**
- **Compact design suited for most stationary applications**
- **Full stainless steel design**
- **Easy handling**
- **Easy maintenance**



**ANKERSMID Sample probe**  
ASP 1xx Series

**Technical data**

Gas Sample Probe Version	ASP 1xx
Integrated filter length	150mm
Integrated back-flush/calibration	Yes
Gas-wetted materials	Stainless steel 316
Sealing materials	Viton®
Max. dust loading	1g/m <sup>3</sup> (without back-flush option)
Max. sample temperature	Depending on sample tube
Time before ready-for-use	Approx. 90min
Insitu pre-filter	Optional
Sample pressure max.	0,5-4 bar abs.
Ambient temperature	-20°C to +60°C
Filter element porosity, material	2µm, ceramics (other materials on request)
Operating temperature	+180°C
Temperature control	Self-limiting heating cartridges with - Low-temperature alarm contact (NO) - Over-temperature safety switch-off
Sample gas outlet	¼" f NPT
Test gas/blowback connection	¼" f NPT
Mounting flange	DN65 PN6
Sample gas inlet	G 3/4" f
Power supply	230VAC/450W 115VAC/450W
Degree of Protection	IP54, EN 60529
Electrical equipment standards	EN 61010, EN 60335-1
Electrical connections	Junction box with 2 cable glands, Terminals (5 pcs.), max. 2,5mm <sup>2</sup>
Dimensions	Approx. 370 x 150 x 240mm (l x w x h) with weather protection shield
Weight	Approx. 8 kg





**ANKERSMID Sample probe**  
ASP 1xx Series

**Dimensions**

